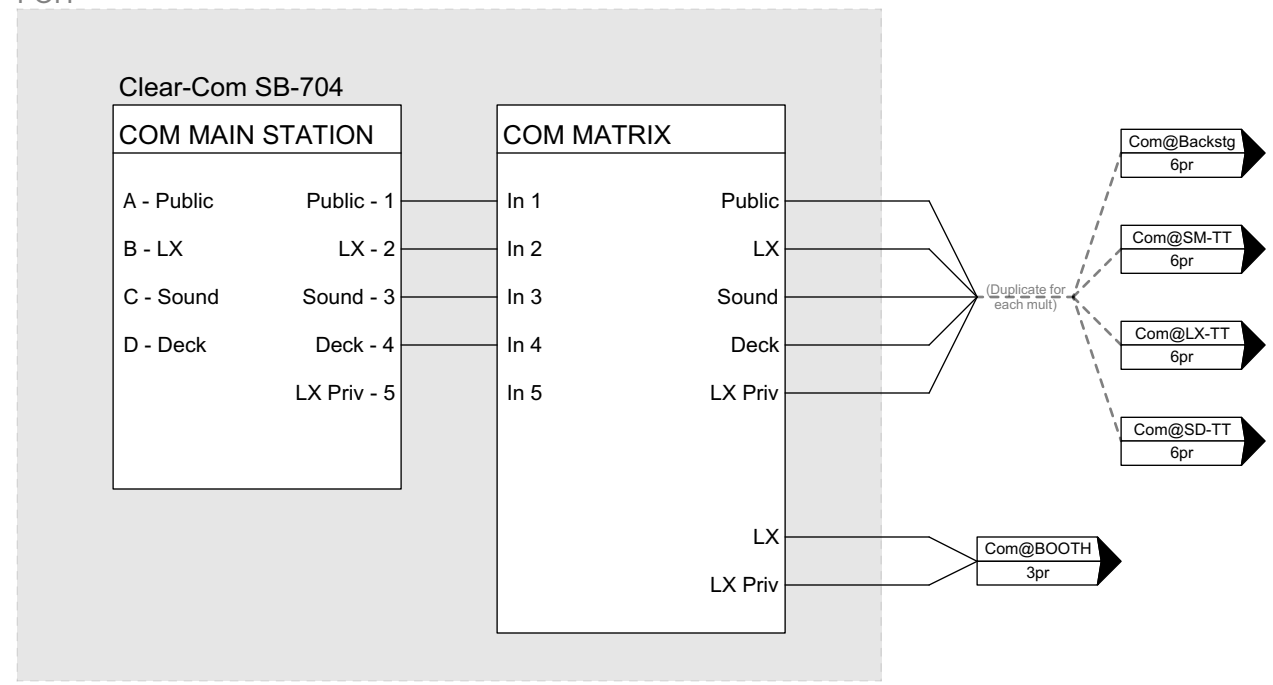
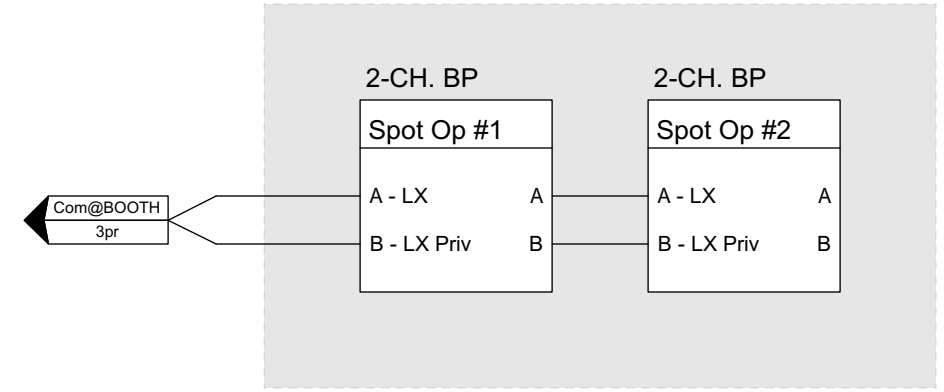


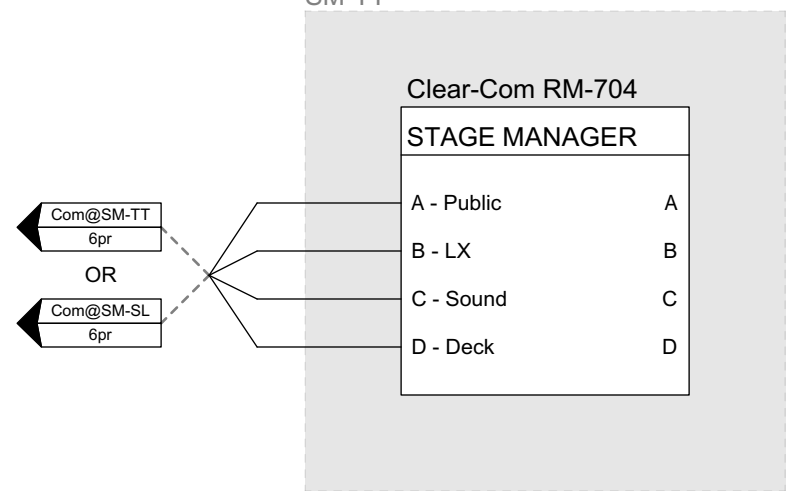
FOH



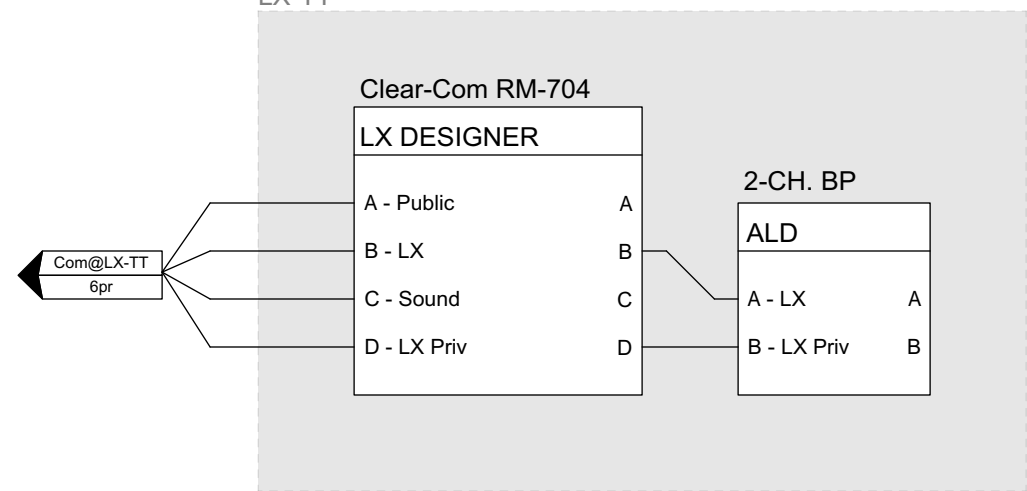
BOOTH



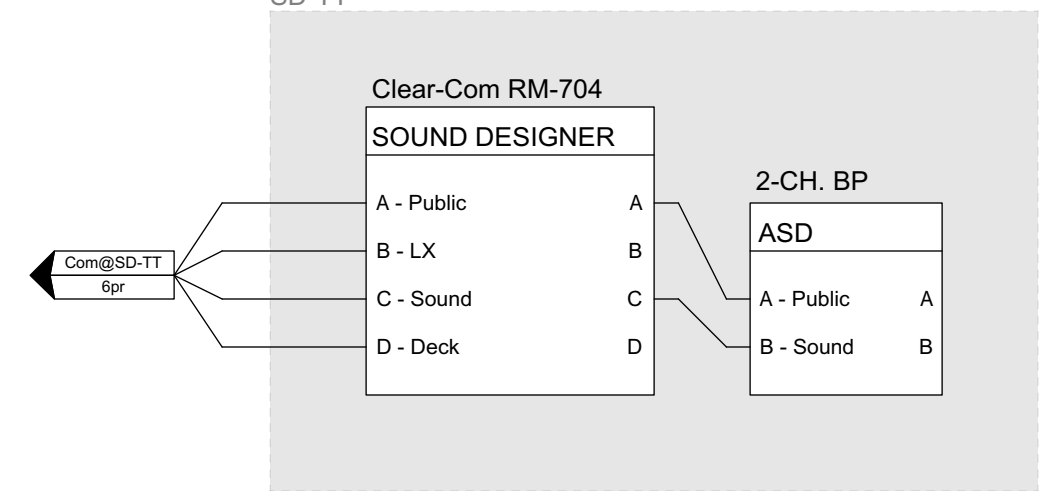
SM-TT



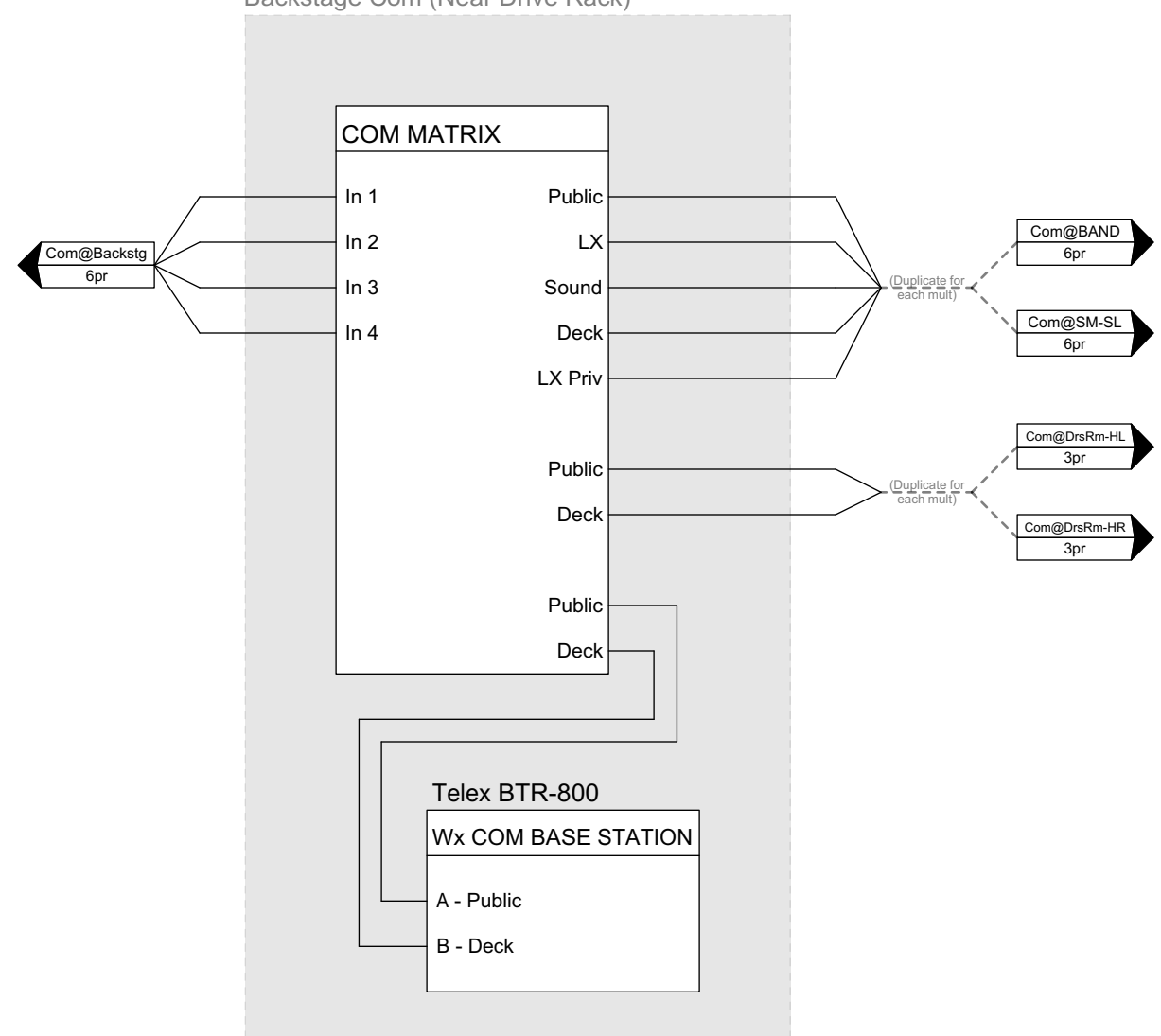
LX-TT



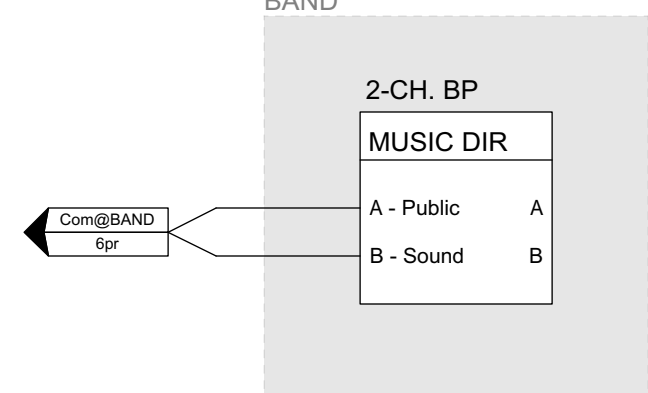
SD-TT



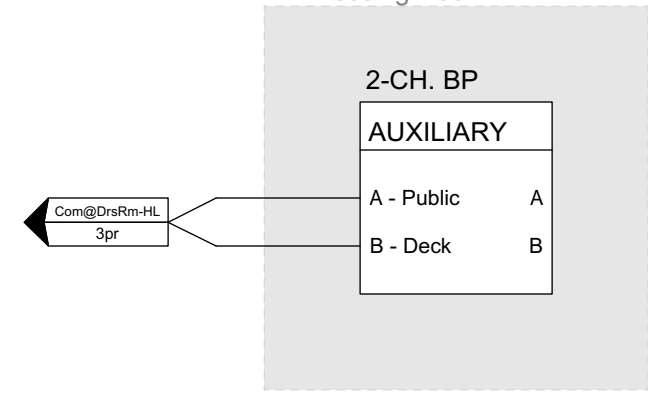
Backstage Com (Near Drive Rack)



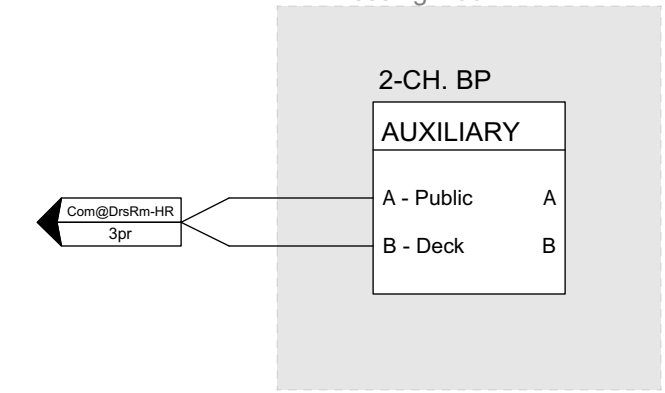
BAND



HL Dressing Room

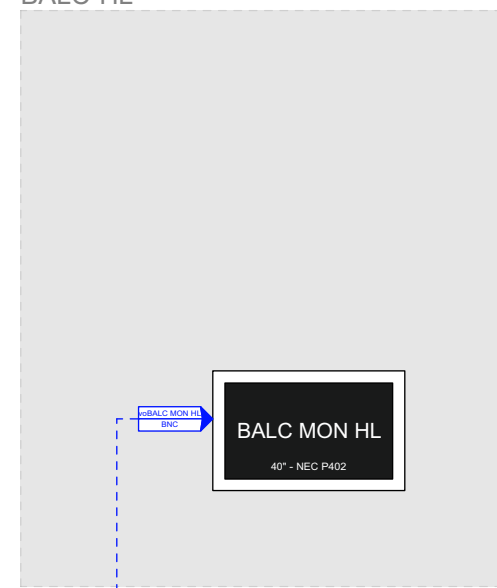


HR Dressing Room

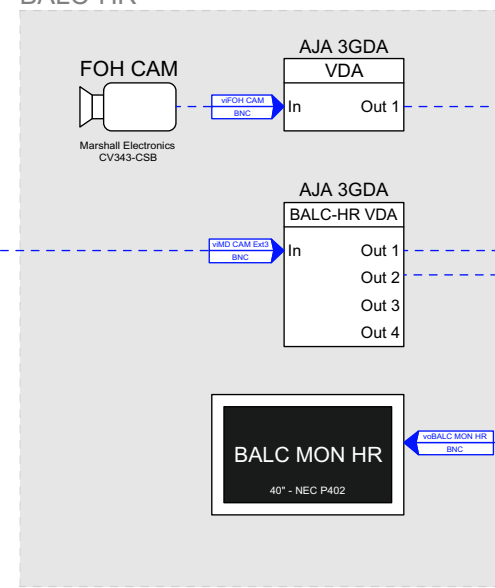


Show Name Skittles Musical		
Reference Com Schematic	Drawn By MVH	Date 1/22/19
CAD File Name S_SCHEMATIC.vwx		

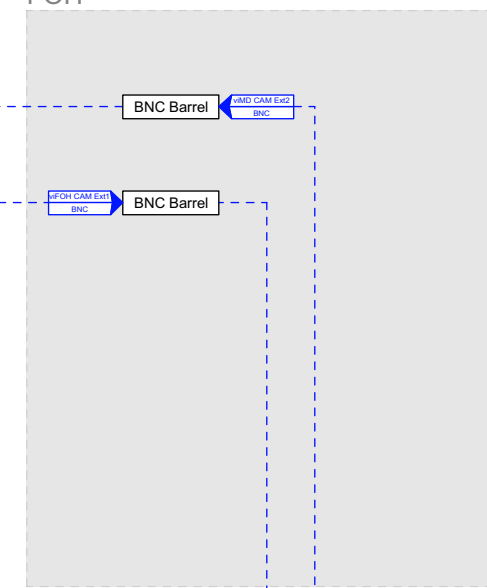
BALC-HL



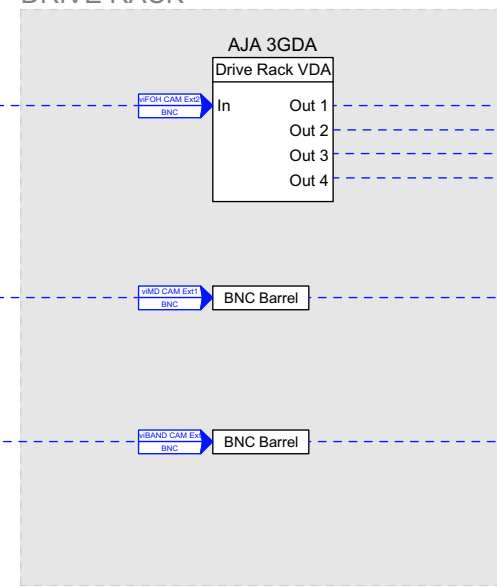
BALC-HR



FOH



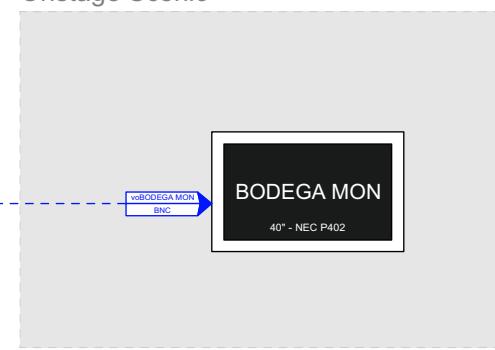
DRIVE RACK



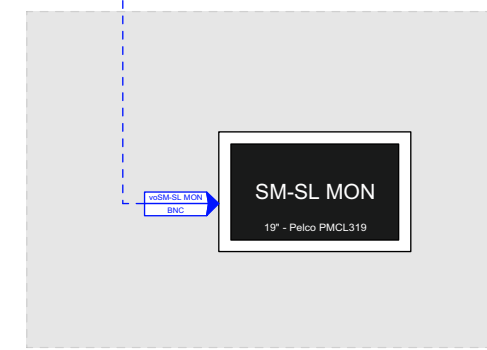
USHL



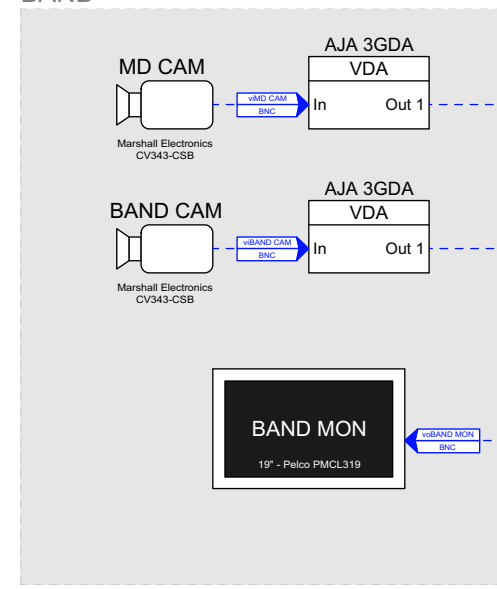
Onstage Scenic



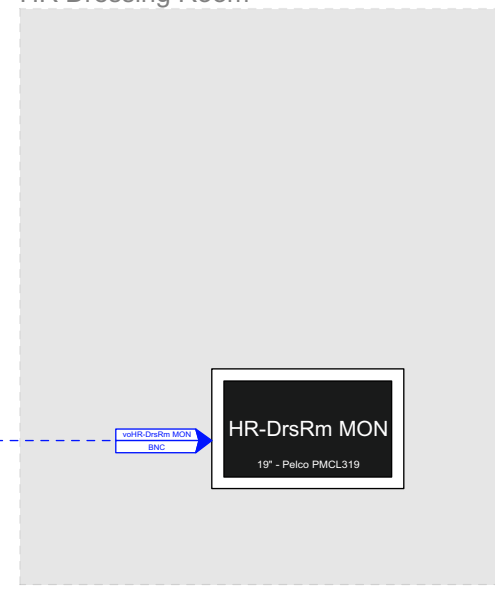
SM-SL



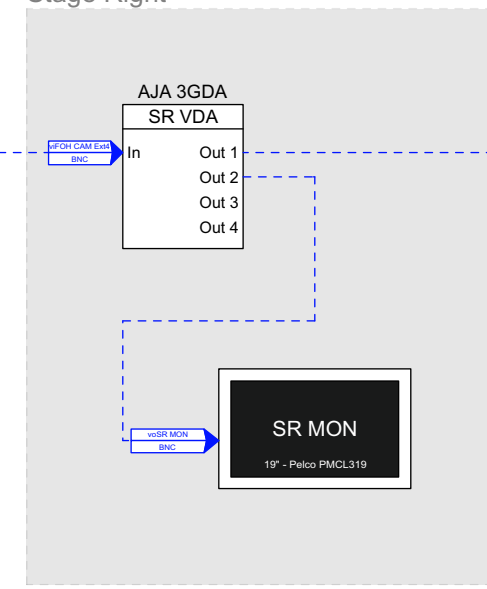
BAND



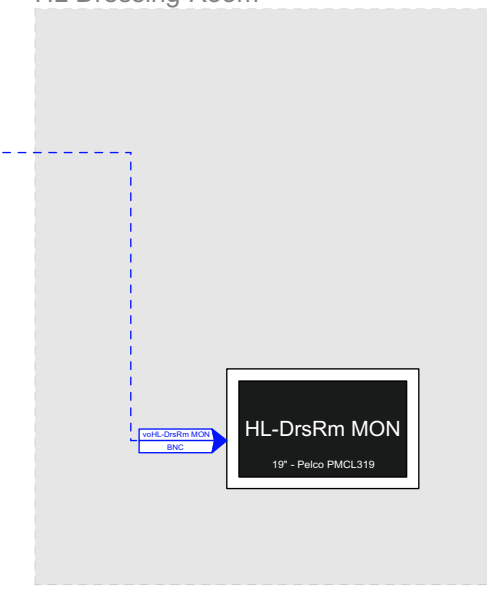
HR Dressing Room



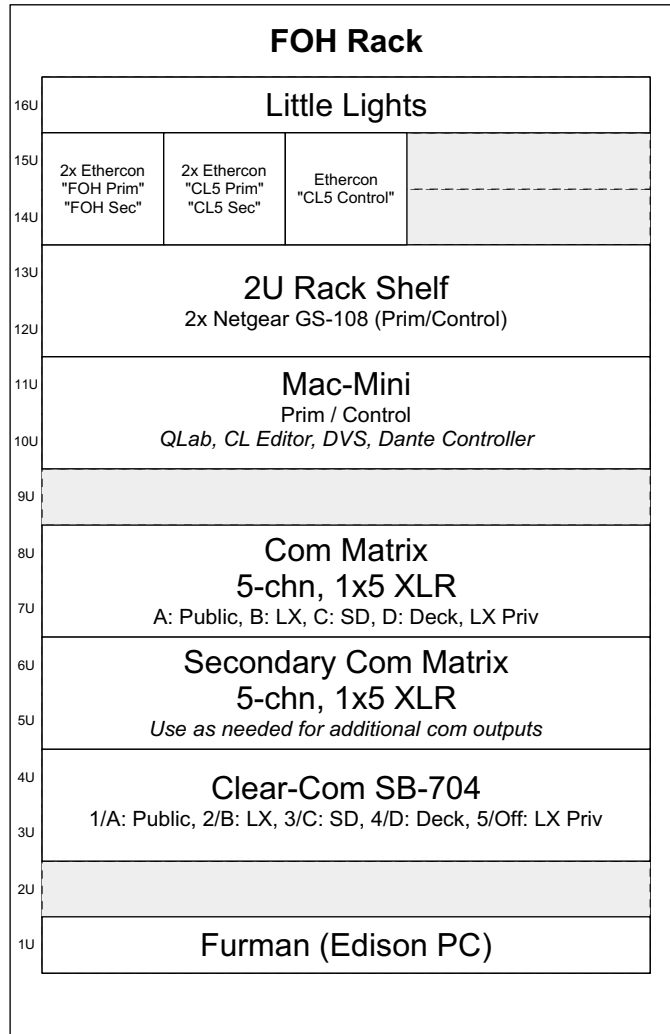
Stage Right



HL Dressing Room

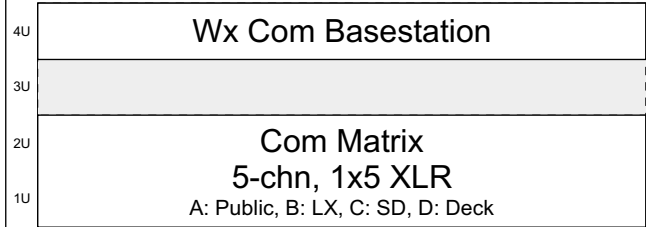


Show Name <b>Skittles Musical</b>		
Reference <b>Video Schematic</b>	Drawn By <b>MVH</b>	Date <b>1/22/19</b>
CAD File Name <b>S_SCHEMATIC.vwx</b>		

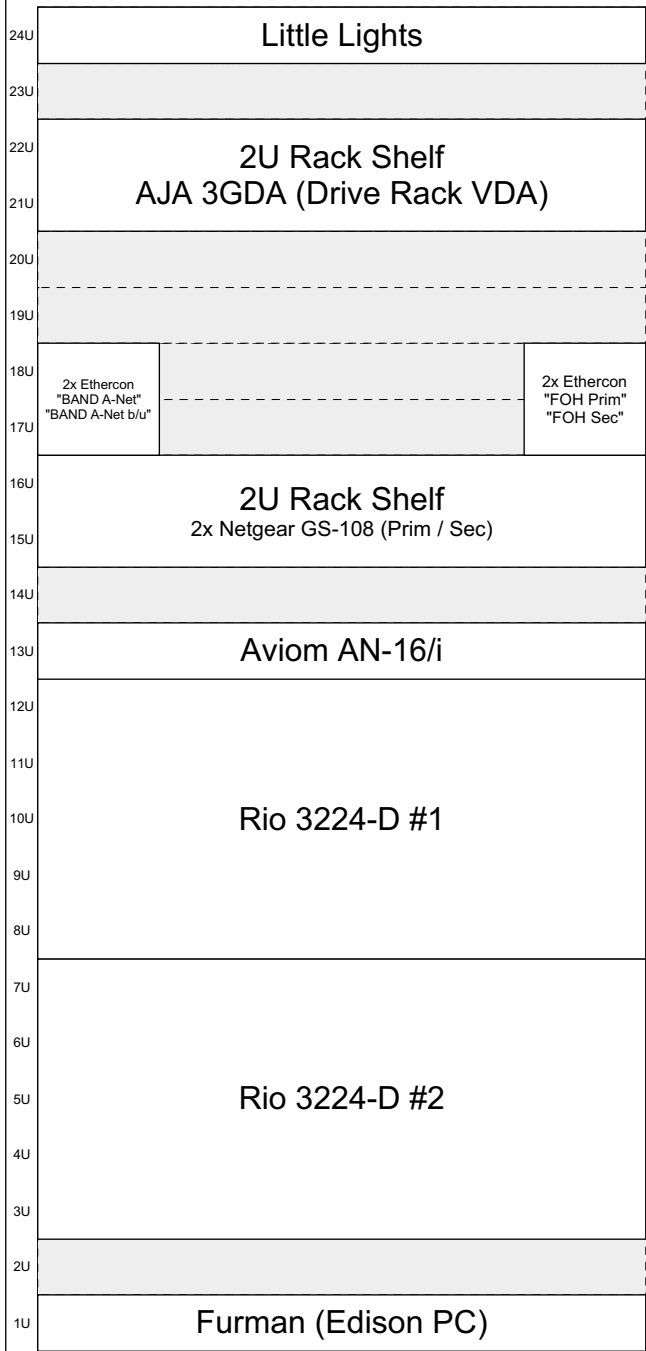


Production Title	
<b>THE SKITTLES MUSICAL</b>	
Drawing Title	
<b>FOH RACK</b>	
Designer	Director
Mikaal Sulaiman	Sarah Benson
Drawn By	Scale
MVH	
Venue	Drawing No.
The Town Hall	<b>1</b>
Date	_____ of _____
1/22/19	
CAD File Name	<b>5</b>
S_Racks.vwx	

### Backstage Com

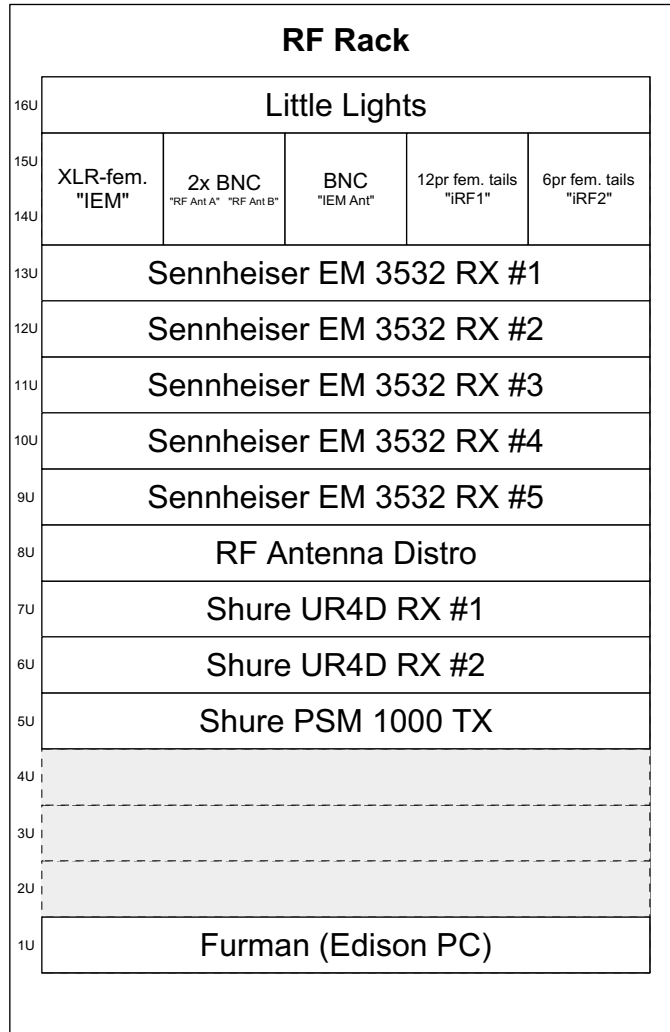


### Drive Rack



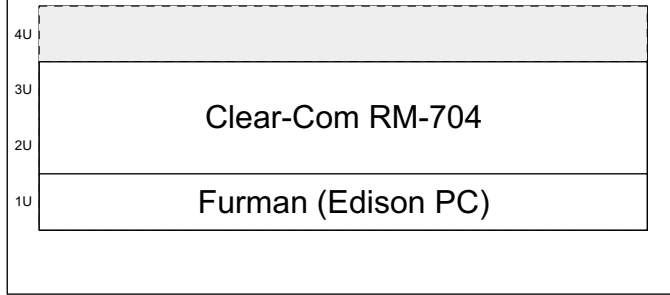
Production Title		THE SKITTLES MUSICAL	
Drawing Title		DRIVE RACK	
Designer	Mikaal Sulaiman	Director	Sarah Benson
Drawn By	MVH	Scale	
Venue	The Town Hall	Drawing No.	2
Date	1/22/19		of
CAD File Name	S_Racks.vwx		5

## RF Rack

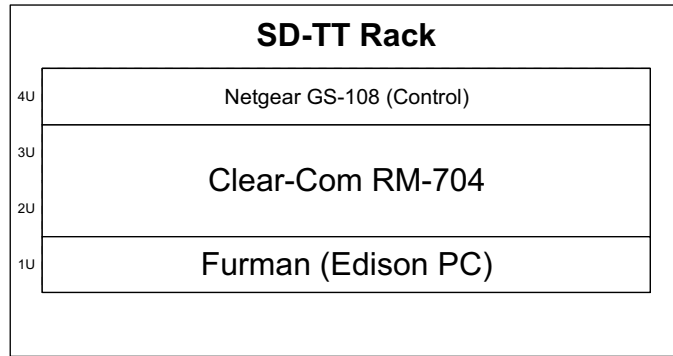


Production Title	
THE SKITTLES MUSICAL	
Drawing Title	
RF Rack	
Designer	Director
Mikaal Sulaiman	Sarah Benson
Drawn By	Scale
MVH	
Venue	Drawing No.
The Town Hall	3
Date	_____ of _____
1/22/19	
CAD File Name	5
S_Racks.vwx	

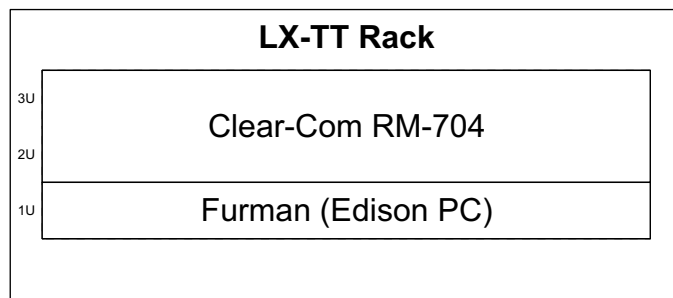
### SM Rack



### SD-TT Rack

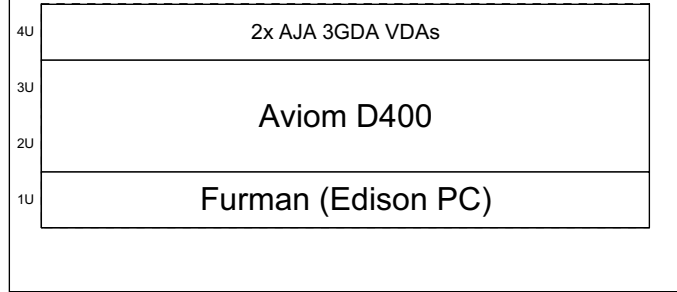


### LX-TT Rack

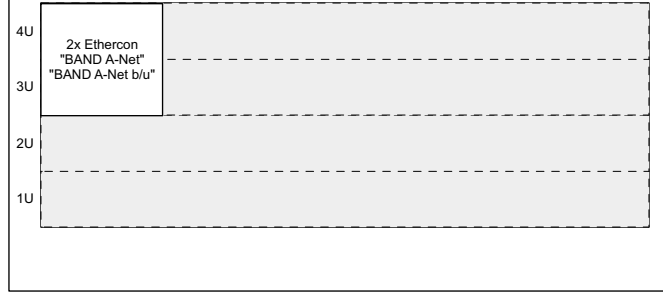


Production Title	
THE SKITTLES MUSICAL	
Drawing Title	
Tech Table Racks	
Designer	Director
Mikaal Sulaiman	Sarah Benson
Drawn By	Scale
MVH	
Venue	Drawing No.
The Town Hall	4
Date	1/22/19
CAD File Name	_____ of _____
S_Racks.vwx	5

### Band Rack (Front)



### Band Rack (Rear)



Production Title		THE SKITTLES MUSICAL	
Drawing Title		BAND RACK	
Designer	Mikaal Sulaiman	Director	Sarah Benson
Drawn By	MVH	Scale	
Venue	The Town Hall	Drawing No.	5
Date	1/22/19		of
CAD File Name	S_Racks.vwx		5